

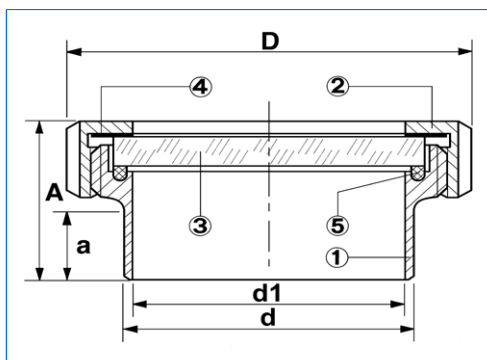
# Screwed dairy sightglasses

## similar to DIN 11851

### Series SSA



Screwed sightglass, DN 100, PN 6, type SSA 100



Type	DN	d1	a	A	d	D	Glass dimensions
SSA 50	50	50	18	46	55	92	66 x 8
SSA 65	65	66	22	49	72	112	84 x 10
SSA 80	80	81	23	54	87	127	99 x 10
SSA 100	100	100	32	65	106	148	114 x 12
SSA 125	125	125	20	60	132	178	147 x 15
SSA 150	150	150	15	62	157	210	175 x 15

Branch office / exclusive agent:

All dimensions in mm. Subject to changes without preliminary notice.



#### Application:

Screwed dairy sightglasses of the series SSA are used for the visual control of processes inside vessels, storage tanks, mixers, reactors etc. They are preferably used in pharmaceutical, cosmetics and food processing industries (milk industry, breweries, pharmaceutical plants etc).

They may be sterilised due to the high operating temperatures admitted.

#### Construction and standard materials:

- ① Welding flange                    AISI 316 L (1.4404)
- ② Grooved collar nut                AISI 304 (1.4301) or AISI 304 L (1.4307)
- ③ Glass disc                         Sodium silicate to DIN 8902 (max. 150 °C) or Borosilicate to DIN 7080 (max. 280 °C)
- ④ Gasket                             PTFE
- ⑤ Gasket product side               Silicone

#### Special versions (On demand):

Special steel qualities for   ① and ②

EPDM, PTFE or Viton for   ⑤

Aseptic design

Gasket product side with certificate FDA

Welding flange with thick wall (pursuant to old DIN standards)

#### Conditions of service:

Pressure:                             Max. 6 bar

Vacuum

Temperature:                       Depending on gasket quality

Special conditions:               On demand

The above indications are only valid for sightglasses **without** wipers of the series W / WD.

#### Certificates:

To be supplied against extra charge to DIN EN 10204.

#### Possible combinations with light fittings:

From DN 50:                         With light fittings EdelLUX, series EdelEx (LED / PowerLED)

With light fittings miniLUX, series KVLR / BKVLR (LED)

With fibre optic light fittings fibroLUX

From DN 65:

With light fittings metaLUX, series HLM / HLMR

With light fittings CHEMLUX, series (F)KEL (PowerLED) / (F)LKEL / KL (PowerLED) / (F)HEL (PowerLED) / FHL (PowerLED)

From DN 80:

With light fittings miniLUX, series KLR (PowerLED)

With light fittings CHEMLUX, series PEL / PL

From DN 65 on, metaLUX light fittings of the series HLM may be mounted **together** with wipers of the series W / WD. (See separate data sheet)

In case of order of combined units, the necessary adaptation of the grooved collar nut is made in our works.

Do you wish for more information about our wide range of light fittings for use in hazardous and safe areas, about our range of circular sightglasses to DIN 28120/28121, rectangular or D-ended sightglasses, pipeline flow indicators, hinged sightglasses with or without illumination, centrally or sideways operated wipers, spraying devices, camera systems for hazardous areas or our complete sight and lightglass units VETROLUX? Are you interested in other types, special versions or different protection degrees? If yes, please contact us, our branch office or our local agents – it is our business! You will find the necessary information on our sales network on the Internet.

# MAX MÜLLER AG

PROCESS ILLUMINATION AND VISUAL OBSERVATION SYSTEMS

Hagmattstrasse 19 • CH - 4123 Allschwil / Switzerland

Telephone +41 61 487 92 92 • Telefax +41 61 487 92 99

www.maxmuellerag.com   E-Mail: blt@maxmuellerag.com