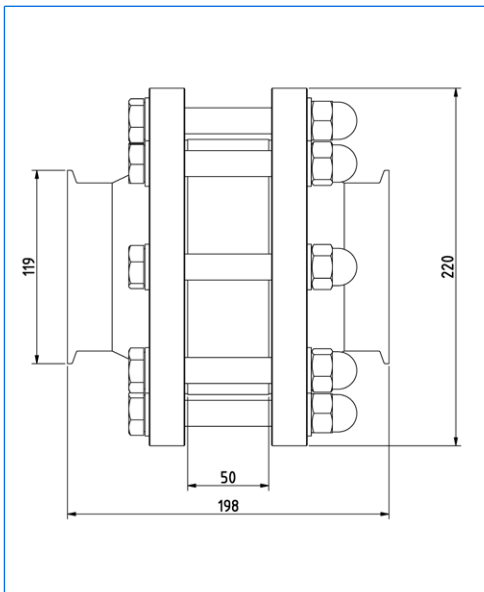


Sightflow indicators for use in pharma applications

Series DSP



Sight flow indicator, series DSP, with TriClamp® connections, 4", on both sides



Dimensions

All dimensions in mm. Subject to changes without preliminary notice.



Application:

The sightflow indicators for use in pharma applications of the series DSP serve to monitor the flow of liquid media in tubular systems. Due to their conception, they can be used for sterile processes and for ATEX applications in the zones 0/20 for gases of the groups IIA and IIB.

Advantages:

- 360° insight
- Only minimal inside product deposits possible
- High geometric precision and perfect aesthetics due to turned (instead of welded) mechanical parts
- Easy and exact centering of the GYLON gaskets when mounting the unit due to precise machining
- No cold flow of the gaskets due to use of GYLON gaskets

Dimensions:

TriClamp® connections 4" pursuant DIN 32676 ASME BPE.

Other connections available on request.

Free view of 50 mm.

Operating conditions:

Nominal pressure: 0,5 bar (short-term (Ex) pressure: 16 bar)

Operating temperature: -20 °C up to +220 °C

Suitable for use in ATEX zones 0/20 for gases of the groups IIA and IIB

Materials:

Flanges / connections: 1.4404 (= AISI 316 L)

Surfaces: Ra ≤ 0,4 μm for parts in contact with the medium
Exterior parts brushed

Bolts / nuts / acorn nuts: A2

Glass: Borosilicate glass to DIN 7080

Gaskets: GYLON 3510 "off white"

Other materials are available on request.

Certificates:

- 3.1 pursuant to EN 10204 for the metal parts
- 2.2 pursuant to EN 10204 for the glass tube
- FDA for the gaskets
- Hydraulic pressure test