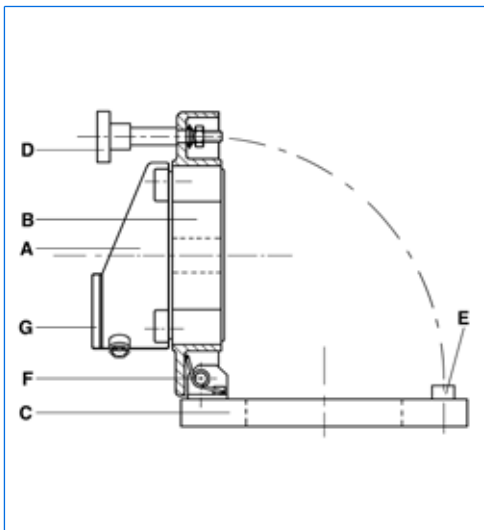


Hinged sightglasses with or without illumination series KSGB / KSG



Hinged illuminated sightglass type KSGB 125. Terminal voltage of built-on light fitting 24 V, nominal rating 50 or 100 watts. Built-in wiper, series W.



Typical assembly of a hinged illuminated sightglass series KSGB.

The hinged sightglasses of the series KSG / KSGB represent the combination of an illuminated / non illuminated sightglass with a mechanism for quick and easy opening and closing of the combined unit.

Application: Mainly where a chemical or physical process needs a quick addition of components (e.g. of a powder or a liquid) or where samples of the vessel contents have to be taken regularly or sporadically for control purposes. **The application of the standard version of the illuminated units is restricted to safe area use.**

Conditions of service:

Maximum pressure inside the vessel: Type KSG(B) 125: 1.0 bar
Type KSG(B) 200: 0.5 bar

Vacuum

Maximum temperatures: 200 °C with glass disc of borosilicate (DIN 7080)
150 °C with glass disc of sodium silicate (DIN 8902)
Higher temperatures on demand.

With mounted metaLUX light fitting with push-button, the temperature inside the connection box should not exceed 100 °C.

ATTENTION:

Never open under pressure!

Electrical characteristics: (For type KSGB with mounted light fitting)

Supply: AC or DC

Terminal voltage: 24 V (12 V possible)

Nominal rating: 50 / 100 W (see table overleaf)

Bulbs: Halogen, socket GY 6.35

Transformers in protection modes IP 00 or IP 65 for different primary voltages may be supplied on demand.

Enclosure protection degree: IP 65, dust and water jet tight to EN 60529 / DIN VDE 0470 part 1.

Mounting: The unit is supplied completely premounted. Before welding of the flange, the light fitting with the hinge mechanism have to be separated from it.

Assembly:

The picture left shows the typical construction elements:

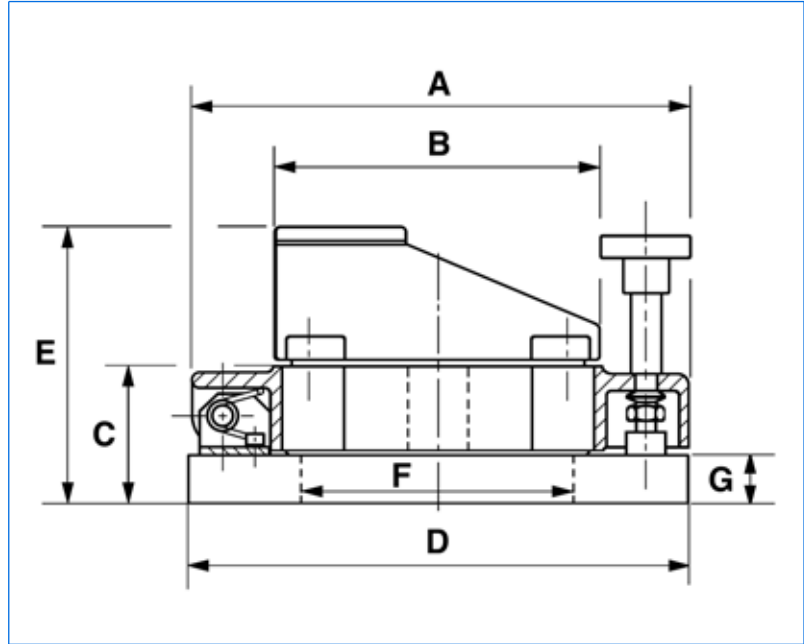
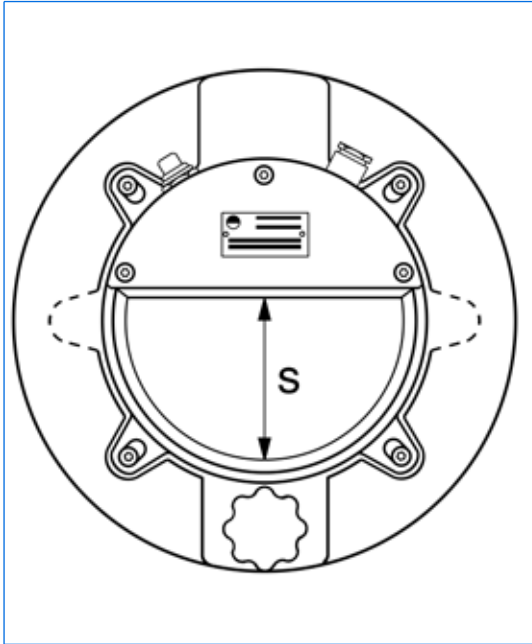
- A) Light fitting metaLUX, series HL
- B) Light fitting holder
- C) Welding flange
- D) Closing bolt with grip head
- E) Closing head
- F) Tilting hinge
- G) Cover of the metaLUX light fitting

Options:

- Wiper series W / WD (see separate data sheet)
- Delivery **without** light fitting. (Correct type designation is then KSG).
- Light fitting for use in hazardous areas
- Pieces in contact with the medium in stainless steel

Replacement of the bulb: The bulb may be changed under pressure or vacuum after opening of the cover G): After loosening of its socket, the bulb can be replaced.

Attention: Do only touch with a proper cloth!



Type		KSG(B) 125	KSG(B) 200
	A	248	333
	B	162	245
	C	70	80
	D	250	335
	E	140	175
	F	136	205
	G	25	25
	S	80	140
Terminal voltage	V	24 / 12	24 / 12
Nominal rating	W	50 / 100	50 / 100

Materials of construction:

- Light fitting / light fitting holder: Corrosion resistant cast aluminium alloy. (On demand painted RAL 9001).
- Welding flange: Carbon steel (RSt 37-2) or stainless steel 1.4571 (= AISI 316 Ti) (Standard). 1.4541 (=AISI 321) / 1.4301 (=AISI 304) or other materials on demand.
- Glass disc: Sodium silicate to DIN 8902 or Borosilicate to DIN 7080
- Sealings: Perbunan (Standard) Silicone, Viton
- Closing parts: Carbon steel, zinked and cast aluminium alloy
- Head of grip: Plastic

Branch office / exclusive agent:

Do you wish for more information about our wide range of light fittings for use in hazardous and safe areas, camera systems for hazardous areas, about our range of circular sightglasses to DIN 28120/28121, screwed sightglasses similar to DIN 11851, rectangular or D-ended sightglasses, pipeline flow indicators, centrally or sideways operated wipers, hinged sightglasses, spraying devices or our complete sight and lightglass units VETROLUX®? Are you interested in other types, special versions or different protection degrees? If yes, please contact us, our branch office or our local agents – it is our business! You will find the necessary indications about our sales network on the Internet.

All dimensions in mm.

Subject to changes without preliminary notice.



MAX MÜLLER AG

PROCESS ILLUMINATION AND VISUAL OBSERVATION SYSTEMS

Hagmattstrasse 19 • CH - 4123 Allschwil / Switzerland

Telephone +41 61 487 92 92 • Telefax +41 61 487 92 99

www.maxmuellerag.com E-Mail: blt@maxmuellerag.com