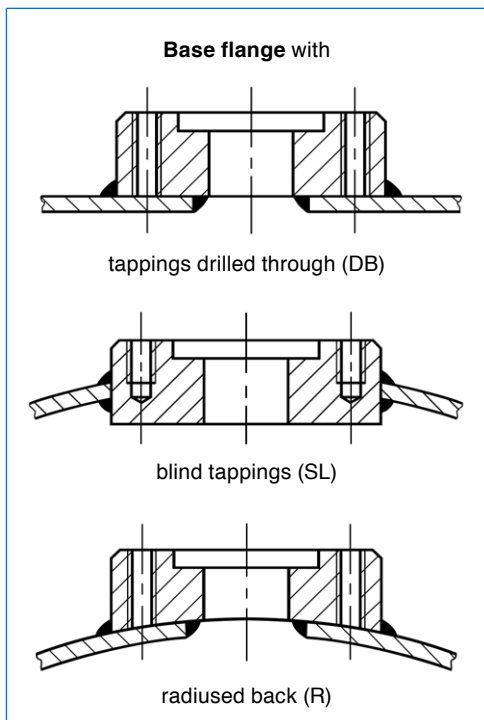


D-ended, elongated sightglasses

Series LSG / LSGR / LSGRR



D-ended, elongated sightglass type LSGRR 316 Ti - 304-2,5-2-SL-8903-KLINGERSil-Silicone. Version with blind tappings, base and cover flange in stainless steel, PN 2,5, glass plate to DIN 8903, seals KLINGERSil C4400 / silicone, dimensions 341 x 116 mm.



Standard versions

Application:

Elongated sightglasses VETROLUX® of the series LSG / LSGR / LSGRR may be used to observe the interior of reactors, columns, silos, vessels, storage tanks, pipelines or as liquid level indicators. They are delivered ready to be welded into or onto a vessel wall, complete with appropriate seals, glass plate and cover bolts. The D-end shape facilitates easier machining of the vessel wall prior to welding in the unit.

Operating conditions:

Nominal pressure 2,5 / 6 / 10 / 25 bar (see table overleaf)

Vacuum

Note: The nominal pressure indicated refers to the design base of the sightglass. When welded into the vessel concerned, the base frame becomes part of the vessel wall. It is necessary, therefore, that appropriate strength calculations are made on all vessels concerned with respect to the design pressure and size of the vessel and in accordance with the relevant design code. If found to be necessary, reinforcement of the vessel wall has to be carried out.

Operating temperatures:

100 °C max. with sodium silicate glass to DIN 8903

243 °C max. with borosilicate glass to DIN 7081

Note: The above indicated temperatures refer to the use of unprotected glass plates, with no protective mica sheets.

Standard materials:

Base flange:	Boiler plate RSt 37-2 / HII / AISI 316 Ti / AISI 316 L
Cover flange:	Boiler plate RSt 37-2 / HII / AISI 304 / AISI 316 Ti / AISI 316 L
Glass plates:	Sodium silicate to DIN 8903
(Transparent)	Borosilicate to DIN 7081
Seals:	KLINGERSil C4400
	EPDM
	Silicone
	PTFE
Cover bolts	Carbon steel, zinked, quality 8.8
to DIN 912:	Stainless steel A2-70
	Other materials on request.

Certificates:

To be supplied against extra charge to DIN EN 10204.

Standard versions: (see left)

- Base flange with bolt tappings drilled through (dimensions see table overleaf), type designation – DB
- Base flange with blind tappings, type designation – SL
- Base flange with radiused back (to correspond to vessel radius), type designation – R

Options:

- Fluted glass plate for liquid level indication (**only** available for PN 25).
- Special dimensions.
- Closed back (base flange) version with drilled and tapped holes at the ends for pipe connections so that the unit may be used as an external gauge of a liquid level.

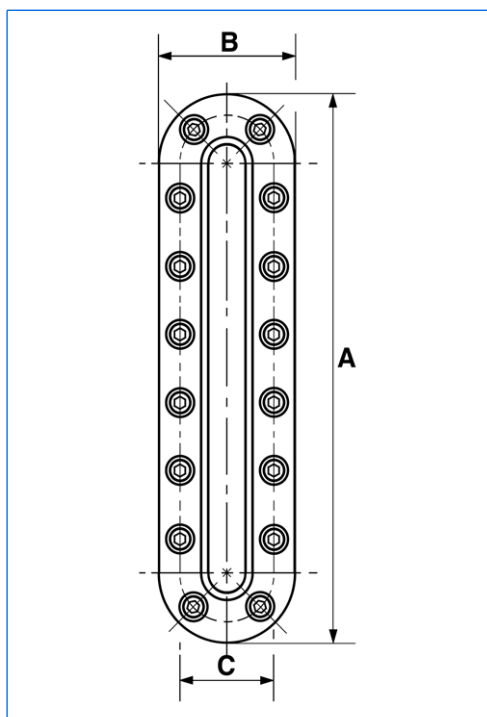
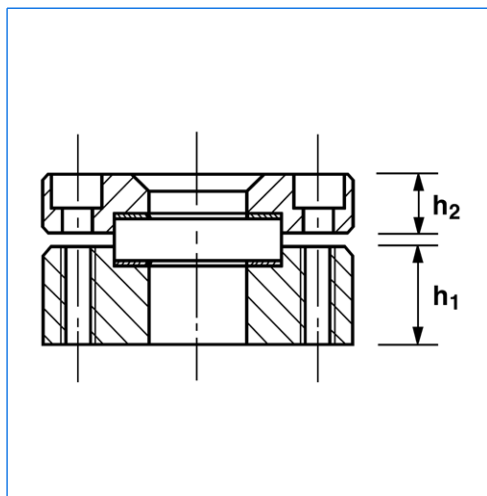
Type designation:

- Series LSG: Base and cover flange in boiler plate RSt 37-2
- Series LSGR: Base flange in stainless steel
Cover flange in boiler plate RSt 37-2
- Series LSGRR: Base **and** cover flange in stainless steel

Ordering example:

For an elongated, D-ended sightglass of nominal pressure 10 with base and cover flange in AISI 316 / AISI 304 and the base flange in version b) with blind tappings together with a glass plate of sodium silicate to DIN 8903 and overall dimensions of 350 x 80 mm, seals PTFE base side, KLINGERSil C4400 cover side, cover bolts A2-70, the correct designation would be:

1 piece type LSGRR 10-3, 1.4571 / SL - PTFE - 8903 - C4400 -1.4301 - A2.



Branch office / exclusive agent:

Type LSG LSGR LSGRR	Nominal pressure (PN)	Dimensions		Free view		Screws M10		Glass plate dimensions (W x L x Thickness [DIN 8903 / 7081])	Thickness of the flanges		Weight (kg)
		A	B	Length	Width	No.	C		h ₁	h ₂	
2,5-1	2,5	266	116	200	50	8	94	70 x 220 x 10/11	25	15	6,3
2,5-2	2,5	341	116	275	50	10	94	70 x 295 x 10/11	25	15	7,6
2,5-3	2,5	416	116	350	50	12	94	70 x 370 x 10/11	25	15	9,8
2,5-4	2,5	491	116	425	50	14	94	70 x 445 x 10/11	25	15	11,0
2,5-5	2,5	566	116	500	50	16	94	70 x 520 x 10/11	25	15	12,3
2,5-6	2,5	641	116	575	50	18	94	70 x 595 x 10/11	25	15	14,2
2,5-8	2,5	791	116	725	50	22	94	70 x 745 x 10/11	25	15	18,0

6-1	6	261	96	195	30	10	74	50 x 215 x 10/11	25	15	5,6
6-2	6	316	96	250	30	12	74	50 x 270 x 10/11	25	15	7,0
6-3	6	371	96	305	30	14	74	50 x 325 x 10/11	25	15	8,0
6-4	6	426	96	360	30	16	74	50 x 380 x 10/11	25	15	8,9
6-5	6	481	96	415	30	18	74	50 x 435 x 10/11	25	15	10,0
6-6	6	536	96	470	30	20	74	50 x 490 x 10/11	25	15	12,0
6-8	6	646	96	580	30	24	74	50 x 600 x 10/11	25	15	13,7

10-1	10	260	80	198	18	12	58	35 x 215 x 10/11	25	15	5,0
10-2	10	305	80	243	18	14	58	35 x 260 x 10/11	25	15	5,8
10-3	10	350	80	288	18	16	58	35 x 305 x 10/11	25	15	6,5
10-4	10	395	80	333	18	18	58	35 x 350 x 10/11	25	15	7,5
10-5	10	440	80	378	18	20	58	35 x 395 x 10/11	25	15	8,0
10-6	10	485	80	423	18	22	58	35 x 440 x 10/11	25	15	9,5
10-8	10	575	80	513	18	26	58	35 x 530 x 10/11	25	15	13,0

25-1	25	186	80	121	15	10	58	34 x 140 x 17	25	20	4,0
25-2	25	211	80	146	15	10	58	34 x 165 x 17	25	20	4,5
25-3	25	236	80	171	15	12	58	34 x 190 x 17	25	20	5,0
25-4	25	296	80	231	15	14	58	34 x 250 x 17	25	20	6,0
25-5	25	326	80	261	15	16	58	34 x 280 x 17	25	20	6,8
25-6	25	366	80	301	15	18	58	34 x 320 x 17	25	20	7,5
25-8	25	386	80	321	15	18	58	34 x 340 x 17	25	20	8,0

All dimensions in mm. Subject to changes without preliminary notice.



MAX MÜLLER AG

PROCESS ILLUMINATION AND VISUAL OBSERVATION SYSTEMS

Hagmattstrasse 19 • CH - 4123 Allschwil / Switzerland

Telephone +41 61 487 92 92 • Telefax +41 61 487 92 99

www.maxmuellerag.com E-Mail: blt@maxmuellerag.com