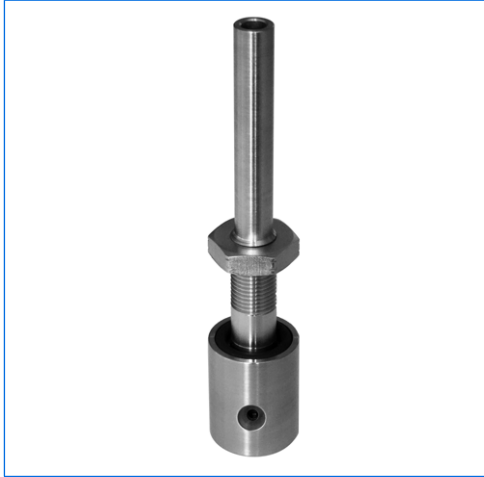
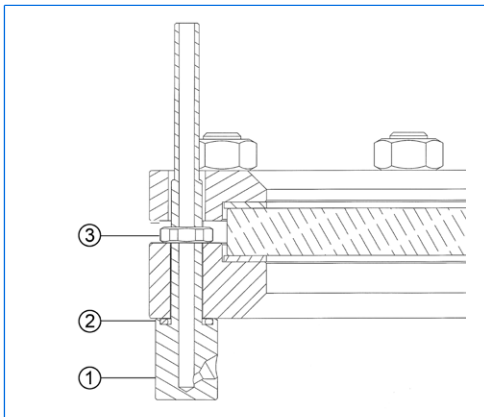


Spraying units for circular sightglasses to DIN 28120 or similar Series SVSN



Spraying unit of the series SVSN



Spraying unit of the series SVSN built into circular sightglass to DIN 28120

Branch office / exclusive agent:

Application:

VETROLUX spraying units of the series SVSN may be used for cleaning the inner face of sightglass discs via an intermittent, continuous or automatically controlled spray. They are suitable in either safe or hazardous areas for all standard sightglasses and may be used both for pressure and vacuum vessels subject to test certification. According to your needs, we recommend the mounting of several units into the same sightglass.

Mounting:

The mounting is made by means of a connection piece screwed into the welding flange to form a pressure tight seal and through a drilled thread in the cover flange.

Operating conditions:

These correspond to those of the sightglass used and its rating.

Materials:

Contact parts: Stainless steel
Gasket: O-ring from Viton

Possible combinations:

The spraying units may be used in conjunction with VETROLUX wipers of the series W / WD / WR or WS together with the light fittings of the series CHEMLUX, EdellUX, fibroLUX, miniLUX or metaLUX as well as with the camera systems VIDEOLUX without any restriction.

Connection:

The connection is made via a \varnothing 10,2 mm drilled thread into the welding flange. Further, a drilled thread of \varnothing 11,5 mm in the cover flange is required; it may also be shaped as an elongated hole of the same dimension in order to facilitate disassembly of the cover flange. The drilled threads need to be coaxial.

Remarks:

- Dependent on operating conditions, a suitable non-return valve should be built into the feed tube.
- When the spraying units are ordered **complete** with sightglasses, all the necessary fitting requirements will be carried out at our works, as part of the delivery.

Mounting and delivery contents:

The drawing left shows the elements of the delivery:

- 1 Spraying head
- 2 O-ring gasket
- 3 Counter nut

Ordering example:

A spraying unit for mounting into a sightglass to DIN 28120, DN 125, PN 6: 1 piece SVSN.

Important:

When the spraying unit is to be ordered together with a sightglass unit, we need the following information at the point of order:

- 1) Nominal diameter (DN), 2) nominal pressure (PN) of the sightglass, 3) materials for the welding and the cover flanges, 4) materials for the product and cover side gaskets, 5) quality of the glass disc (borosilicate / sodium silicate) and 6) material for the studs and nuts.

All dimensions in mm. Subject to changes without preliminary notice.