

Metal fused sightglasses for Triclamp fittings for sightglass light fittings series fibroLUX (E) for use in hazardous and safe areas



Metal fused sightglass, 1", with lightpipe end of the fibroLUX fibre optic sightglass light fitting

Applications:

- For clamp fittings to DIN 32676 / ISO 2852

Advantages:

- For sterile applications
- High security
- Easy installation
- Brilliant and glare free illumination when combined with light fitting, for smallest dimensions (from DN 25 / 1" on)

Metal fused sightglass:

Approvals:

A3 Standard for food processing

Technical data:

- Test base: DGRL 97 / 23 / EG, AD 2000 standards, DIN 7079-1 May 1999
- Materials to VdTÜV specifications and the respective DIN / EN standards
- Glass quality: Borosilicate glass to DIN 7080

Certificates:

- To be supplied against extra charge to DIN EN 10204

Operating conditions:

- Pressure: -1 to 16 bar
- Temperatures:

| | | |
|-----------------|---------|-------------------|
| Ring materials: | 1.4462: | -30 °C to +280 °C |
| | 2.4602: | -60 °C to +300 °C |

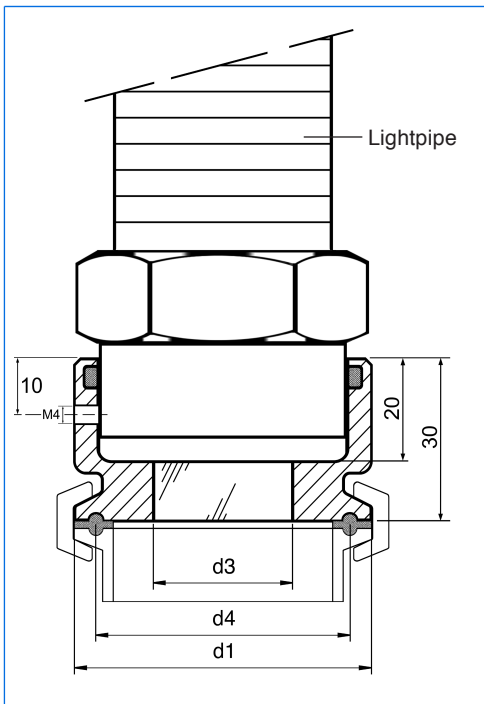
Light fitting series fibroLUX 5035 / fibroLUX E 5035 / fibroLUX E d PowerLED:

- Supply: 24 / 36 / 42 / 115 / 230 / 240 V AC with integrated transformer
12 / 24 V AC/DC / 230-240 V AC without integrated transformer
- Power: fibroLUX 5035 / E 5035: 35 W / 50 W (halogen bulb)
fibroLUX E d PowerLED: 7 W (LED)
- Materials: Housing: Aluminium alloy (Anticorodal) (fibroLUX 5035)
Stainless steel (fibroLUX E 5035 / E d PowerLED)
Lightpipe: Galvanized steel, enclosed in silicone rubber tube
Ferrules: Stainless steel
- Protection mode: (IP65 /) IP67, dust tight and protected against the effects of temporary immersion to EN 60529 / DIN VDE 0470 part 1
- Ignition protection type: Ex d (e) IIC Gb and Ex t IIIC Db to EN 60079-0 / 60079-1 / 60079-7 / 60079-31 (fibroLUX 5035 / E 5035)
Ex d op is IIC Gb and Ex t IIIC Db to EN 60079-0 / 60079-1 / 60079-31 (fibroLUX E d PowerLED)
- Explosion groups: IIC / IIIC
Temperature classes T6 / T80°C - T3 / T195°C (depending on type)
G / D: T_a = - 20°C / + 40°C (T_a up to + 60°C on request)
ATEX: Ex II 2 G + D

For more technical details see data sheets fibroLUX

Dimensions:

| Nominal diameter (DN) | | d1 | d3 | d4 | Max. operating pressure (bar) |
|-----------------------|----------|------|----|------|-------------------------------|
| (mm) | (inch) | | | | |
| 25 / 32 / 40 | 1" / 1½" | 50,5 | 25 | 43,5 | 16 |
| 50 | 2" | 64 | 30 | 56,5 | 16 |



Dimensions

All dimensions in mm. Subject to changes without preliminary notice.