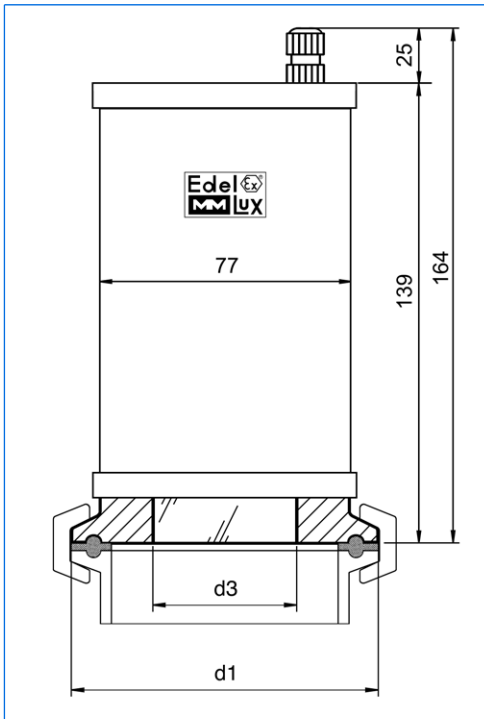


Hazardous sightglass light fittings from stainless steel

Series EdelEx STERI-LINE for metal fused sightglasses for Triclamp fittings series metaClamp®



Sightglass light fitting, type EdelEx STERI-LINE 20 dH, 24 V, 20 W, Ex d IIC T4 Gb, Ex t IIIC T130°C Db IP67, Ex II 2 G + D, on metal fused sightglass, DN 100



Dimensions with mounted sightglass light fitting type EdelEx STERI-LINE

All dimensions in mm. Subject to changes without preliminary notice.

Application:

On metal fused sightglasses for Triclamp fittings to DIN 32676 / ISO 2852 for the optimal illumination of small and pilot reactors as well as vessels for sterile and aseptic applications, mainly in the pharmaceutical, biotechnological, cosmetic and food processing industries.

On demand also available for mounting on metal fused sightglasses for Triclamp fittings in aseptic version to DIN 11864-3.

Advantages:

- Brilliant and glare free illumination
- Easy installation
- Extremely small dimensions
- High security
- For sterile applications

Light fitting series EdelEx STERI-LINE (for use in hazardous areas):

Type designation	EdelEx 5 dH	EdelEx 10 dH	EdelEx 20 dH	EdelEx d LED	EdelEx d PowerLED
Nominal rating (W)	5	10	20	2	7
Terminal voltage (V)	24, 36, 42, 115, 230, 240 V AC with integrated transformer 12 V AC / DC without integrated transformer		12 / 24 V AC / DC without integrated transformer	24 V AC / DC	24 V AC / DC 230–240 V AC
Light source	Halogene			LED	
Housing	Stainless steel				
Protection mode	IP 65			IP 65 / 67	
	Dust tight and protected against the effects of temporary immersion to EN 60529 / DIN VDE 0470 part 1				
Ignition protection type to EN 60079-0 / 60079-1 / 60079-28 ¹⁾ / 60079-31	Ex d IIC Gb Ex t IIIC Db			Ex d op is IIC Gb Ex tb IIIC Db	
Explosion groups	IIC / IIIC				
Temperature classes G / D ²⁾	T6 / T80°C	T4 / T130°C		T6 / T80°C	
ATEX	Ex II 2 G + D				

¹⁾ Only for type EdelEx d PowerLED ²⁾ T_a = -20°C / +40°C (T_a up to +60°C on request)

For technical details see data sheet EdelEx 5 dH / 10 dH / 20 dH and EdelEx d LED / PowerLED

Metal fused sightglass:

- Approvals: A3 Standard for food processing
- Test base: DGRL 97 / 23 / EG, AD 2000 standards, DIN 7079-1 May 1999
- Materials to VdTÜV specifications and the respective DIN/EN standards
- Glass quality: Borosilicate glass to DIN 7080
- Certificates to DIN EN 10204 may be supplied against extra charge
- Pressure: -1 to 10 / 16 bar (see table)
- Temperatures: Ring materials: 1.4462: -30°C to +280°C
2.4602 / 2.4610: -60°C to +300°C

Dimensions:

Nominal diameter (DN)		d1	d3	Max. operating pressure (bar)
(mm)	(inch)			
25 / 32 / 40	1", 1½"	50,5	25	16
50	2"	64	30	16
-	2½"	77,5	34	16
65	3"	91	35	10
80	3½"	106	35	10
100	4"	119	35	10