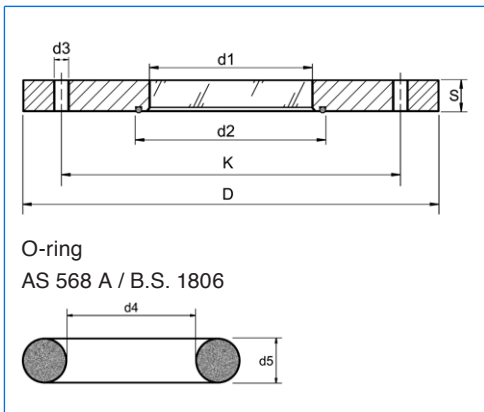


Metal fused sightglass flanges for sterile applications



Sightglass flange DN 150



Typical assembly

Application:

- For base flanges to DIN 28117 or similar
- For weldnecks with flat face

IMPORTANT: Only for use with parallel flat face flanges without seal recess. Maximum tightening torque 20 Nm. We therefore recommend the use of Belleville spring washers, 2 pcs. for each connection hole.

Advantages:

- High security
- Flush glass / metal border on outer side for easy cleaning for sterile applications
- Maximum viewing area

Approvals:

TÜV-Approval to the pressure vessel guideline as part of a pressure vessel (for material duplex stainless steel 1.4462)

Technical data:

- Test base: DGRL 97 / 23 / EG, AD 2000 standards, DIN 7079-1 May 1999
- Materials to VdTÜV specifications and the respective DIN / EN standards
- Glass quality: Borosilicate glass to DIN 7080

Certificates:

- To be supplied against extra charge to DIN EN 10204

- Pressure: -1 to 16 bar (see table)
- Temperatures:

Ring materials:	1.4462:	- 30 °C to + 280 °C
	2.4602	- 60 °C to + 300 °C
	2.4605	- 60 °C to + 300 °C
	2.4610	- 60 °C to + 300 °C

Dimensions:

DN	PN	D	K	S	d1	d2	d3	Number of holes	O-Ring* d4 x d5	Spring washers*
50	16	165	125	21	50	66	18	4	58,74 x 3,53	31,5/16,3x1,25
65	16	185	145	23	70	86	18	4	78,97 x 3,53	31,5/16,3x1,25
80	16	200	160	23	80	96	18	8	88,50 x 3,53	31,5/16,3x1,25
100	16	220	180	23	90	116	18	8	107,5 x 3,53	31,5/16,3x1,25
125	16	250	210	25	110	141	18	8	132,9 x 3,53	31,5/16,3x1,25
150	16	285	240	28	130	165	22	8	158,34 x 3,53	40/20,4x1,5
200	10	340	295	30	140	208	22	8	202,8 x 3,53	40/20,4x1,5

* Not contained in our delivery

Branch office / exclusive agent:

All dimensions in mm. Subject to changes without preliminary notice.



MAX MÜLLER AG

PROCESS ILLUMINATION AND VISUAL OBSERVATION SYSTEMS

Hagmattstrasse 19 • CH - 4123 Allschwil / Switzerland

Telephone +41 61 487 92 92 • Telefax +41 61 487 92 99

www.maxmuellerag.com E-Mail: blt@maxmuellerag.com